

Vocabulary 8/28/13

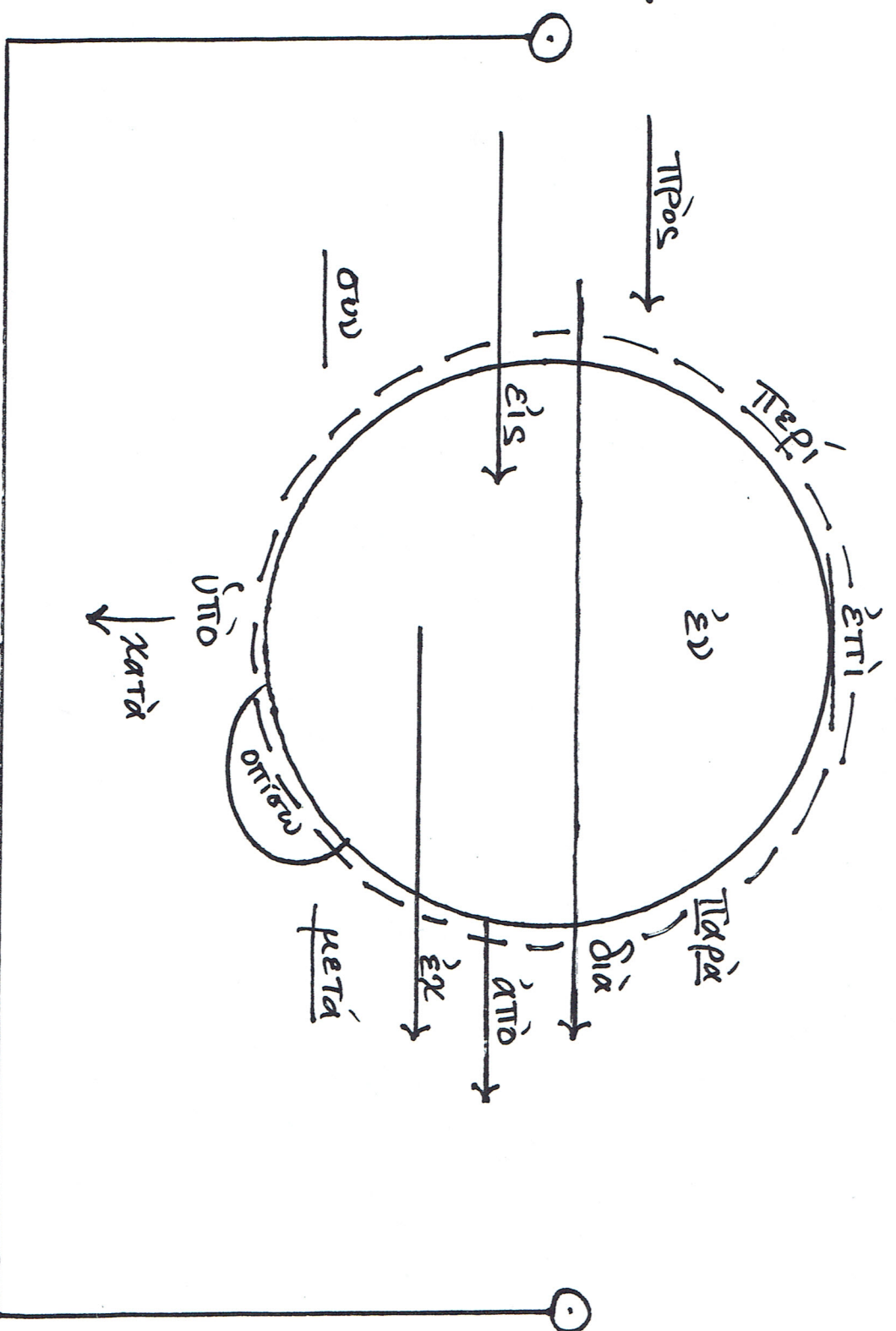
- 1.) χεῖρ = hand
- 2.) εὕρισκω = I find
- 3.) ἄγγελος = messenger
- 4.) ὄχλος = crowd
- 5.) ὀψία = evening
- 6.) ἁμαρτία = sin
- 7.) ἔργον = work
- 8.) δόξα = glory
- 9.) βασιλεία = kingdom
- 10.) ἔθνος = nation
- 11.) πόλις = city

PREPOSITIONS:

SPECIAL RELATIONSHIPS

ἀνά ↑
ὑπὲρ

ἀπὸ ↓



ἀμφὶ